

|   |  |                             |
|---|--|-----------------------------|
|  | <b>SPECIFICATIONS</b>                    | <b>MODEL NO.</b><br>173-086 |
|   | <b>PART NAME</b><br>Piezoelectric Buzzer | <b>SHEET</b><br>1 OF 7      |

| <b>ALTERNATION HISTORY</b> |           |           |      |  |      |            |            |
|----------------------------|-----------|-----------|------|--|------|------------|------------|
| Marking                    | Date      | ECN NO.   | REV. | Description  | Page | PREPARE BY | APPROVE BY |
| --                         | SEP.18,09 | ---       | A    | New document   | 7    | 王志偉        | 謝明福        |
| ※1                         | NOV.10,09 | DG0911015 | B    | Products Print MODEL NO./<br>Increase Label Contents | 7    | 王志偉        | 謝明福        |
| ※1                         | JAN.21,11 |           | C    | Modify the plastic case material                     | 7    | 李家芹        | 謝明福        |
|                            |           |           |      |  |      |            |            |

| REV. | DATE        | PREPARED BY | CHECKED BY | APPROVED BY |
|------|-------------|-------------|------------|-------------|
| C    | JAN.21,2011 | 李家芹         | 王志偉        | 謝明福         |

**MODEL NO : 173-086**

**Features : External drive**

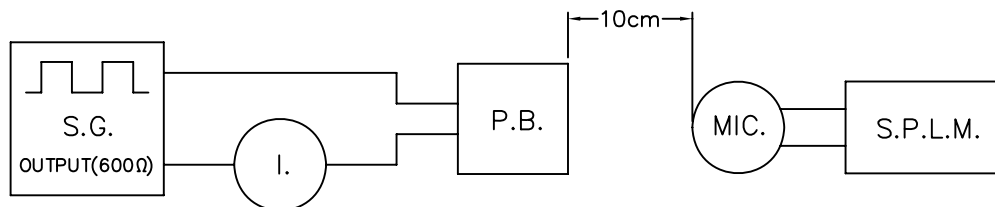
**Conformity RoHS Directive ( 2002/95/EC ) Requests.**

**1. General Specifications :**

| Items                   | Specification                                 |
|-------------------------|---|
| Sound Pressure Level    | 75dB Min. at 4.0KHz/5.0Vp-p Square Wave/10cm. |
| Capacitance             | 16,000pF ± 30% at 1.0KHz                      |
| Current Consumption     | 2mA Max. at 4.0KHz/5.0Vp-p Square Wave        |
| Allowable Input Voltage | 25Vp-p Max.                                   |
| Case Material           | LCP(White)                                    |
| Lead Pin Material       | Tin Plated Brass(Sn)                          |
| Operating Temp. Range   | -30°C to +70°C                                |
| Storage Temp. Range     | -40°C to +85°C                                |
| Weight                  | 1.0 gms                                       |

**2. Test Method :**

2.1 Standard Test Diagram



- S.G. : GAG-808G Audio Generator or Equivalent
- S.P.L.M. : Sound Pressure Level Meter IEC651 TYPE2
- I. : GDM-8145 Multimeter or Equivalent
- P.B. : Piezoelectric Buzzer

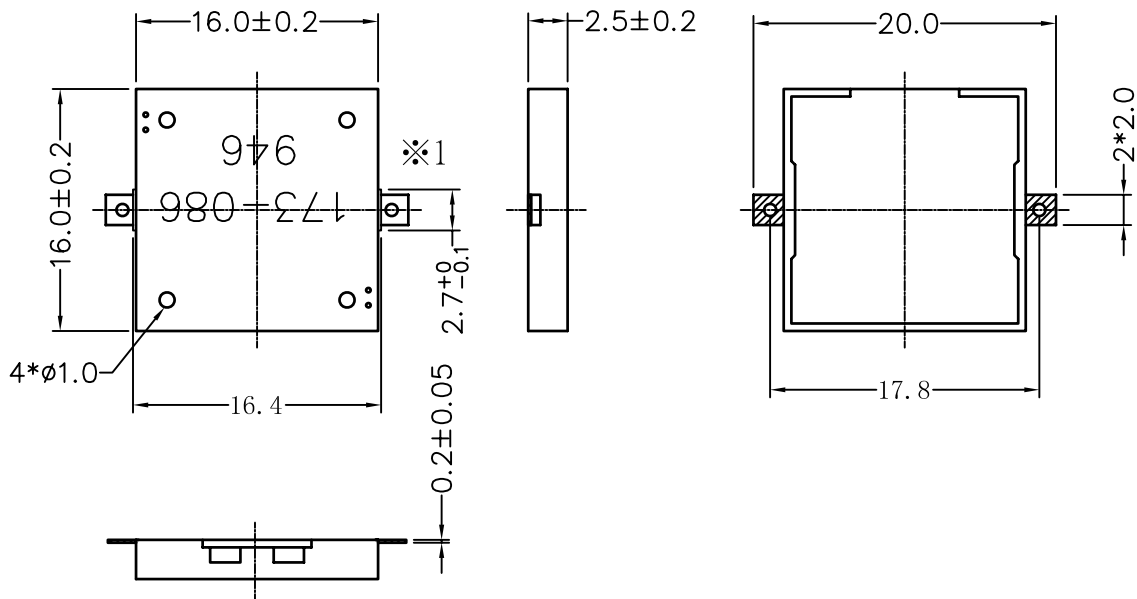
*Note: please pay attention never to be applied DC voltage to piezo sounder*

**2.2 Standard Test Condition**

Part shall be measured under a condition  
(Temperature : +5 to +35°C, Humidity : 45% to 85%R.H.)  
unless the standard condition.(Temperature : +25±2°C,  
Humidity : 60%% to 70%%R.H.) is regulated to measure.

**3. Dimensions :**

Unit : mm      Tolerance : ±0.3

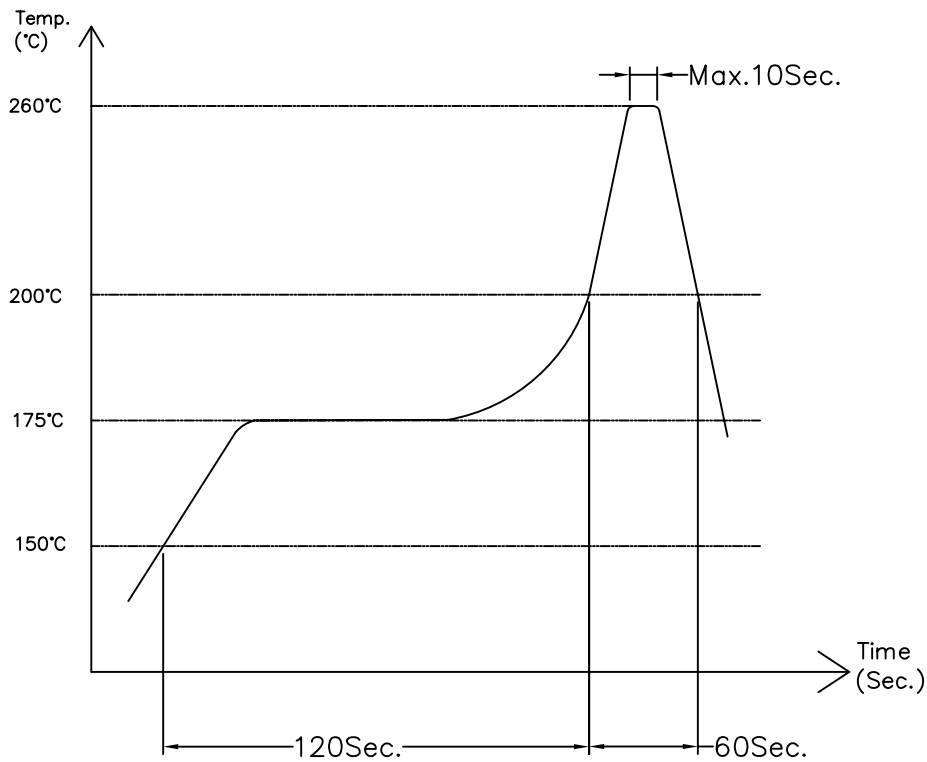


Note : Meaning of Stamp Mark  
 173-086 : Model No.  
 946 : Production Lot No.  
 9 : Year 2009 (last 1 figures of the year)  
 46 : week (01 to 55)

#### 4. Soldering Condition :

##### 4.1 Reflow Soldering

Recommendable reflow soldering condition is as follows.



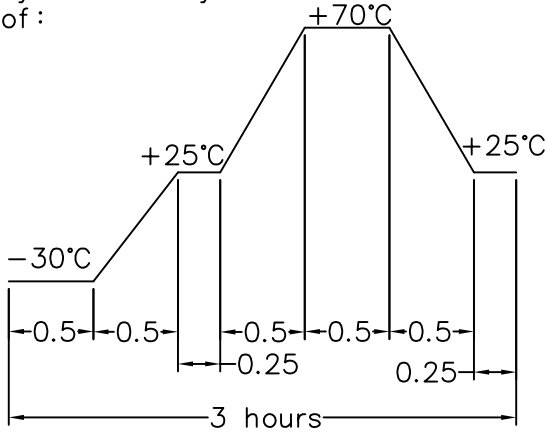
**Note :**

It is requested that second reflow soldering should be executed after heat of product goes down to normal temperature.

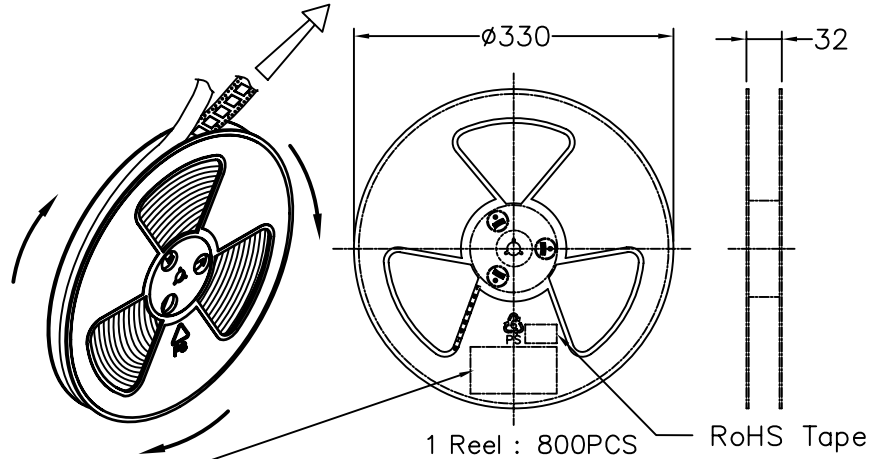
##### 4.2 Hand Soldering

Soldering iron temperature 350°C less than 5 second.

**5. Reliability test :**

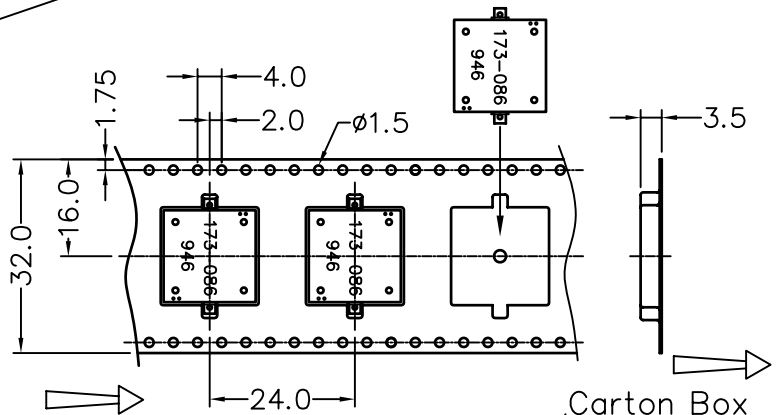
| NO. | Items              | Test Conditions   | Evaluation Criteria  |
|-----|--------------------|---|--|
| 5.1 | High Temp. Storage | The part shall be capable of withstanding a storage temperature of +85°C for 96 hours.  | After the test the part shall meet specifications without any degradation in appearance and performance except SPL. SPL shall be 80dB or more. |
| 5.2 | Low Temp. Storage  | The part shall be capable of withstanding a storage temperature of -40°C for 96 hours.  |  |
| 5.3 | Thermal Shock      | The part shall be subjected to 5 cycles. One cycle shall be consist of :<br> |  |
| 5.4 | Humidity Test      | The part shall be subjected to +40°C, 90~95% RH for 96 hours, and expose to room temperature for 6 hours.   |  |
| 5.5 | Vibration          | 10 – 55 – 10Hz, Sinewave Sweep 15 min.<br>X,Y,Z 3 Direction 2 hours each, Total 6 hours.  |  |
| 5.6 | Drop test          | Drop on hard wood board of 5cm. thick, any direction, 6 times, at the height of 75cm.   |  |

**6. Packing :**



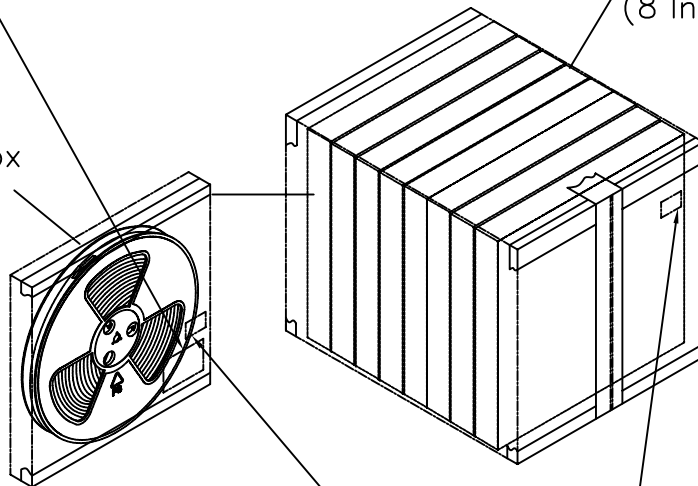
Label content

|                  |         |
|------------------|---------|
| OBO PRO.2 INC.   |         |
| Model No.        | 173-086 |
| Production Order | *****   |
| Lot NO.          | ***     |
| Q'TY             | 800PCS  |
| Date             | *****   |

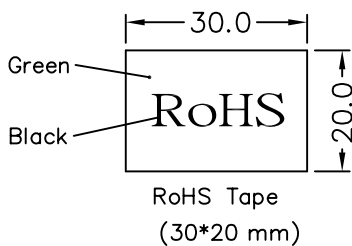


Carton Box  
(8 Inner Box)

Inner Box  
(1 Reel)



RoHS Tape



|            |               |                  |
|------------|---------------|------------------|
| Inner Box  | 330*330*40mm  | 1*800PCS=800PCS  |
| Carton Box | 350*350*370mm | 8*800PCS=6400PCS |

**SPECIFICATIONS**

MODEL NO.  
173-086

PART NAME  
Piezoelectric Buzzer

SHEET  
7 OF 7

09/24/2009 11:58

CRY6125F 蜂鸣器测试仪 091

无框 滤波器无

型号: \_\_\_\_\_

Fc = 4000 Hz 079.60 dB

方波

电压: 2500 mV

F0 = 9328 Hz 087.46 dB

0 dB 参考值为 : 20.0  $\mu$ Pa

扫频速度 : 005 ms 快速

扫频模式 : 1/96 Oct

